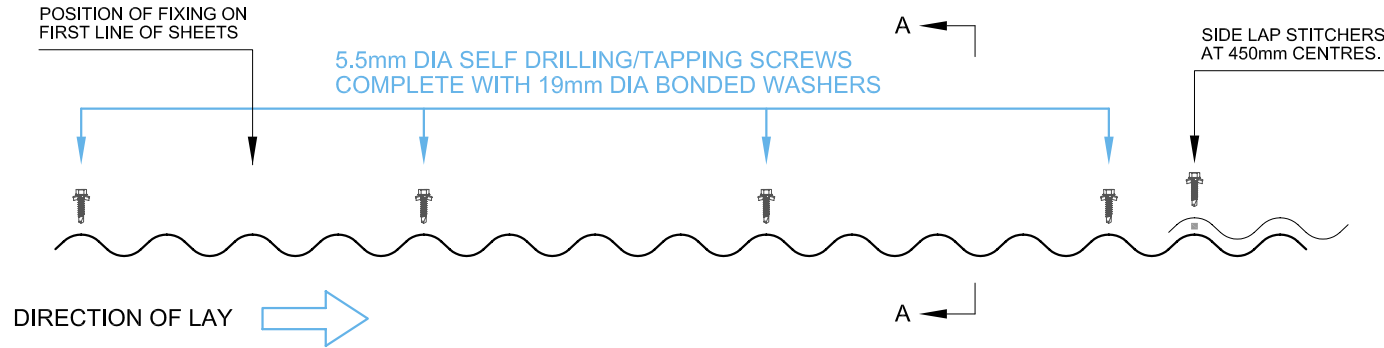
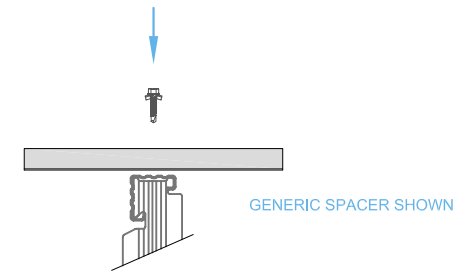


# TPP 14/3 CORRUGATED Roof Sheet Typical Installation Method

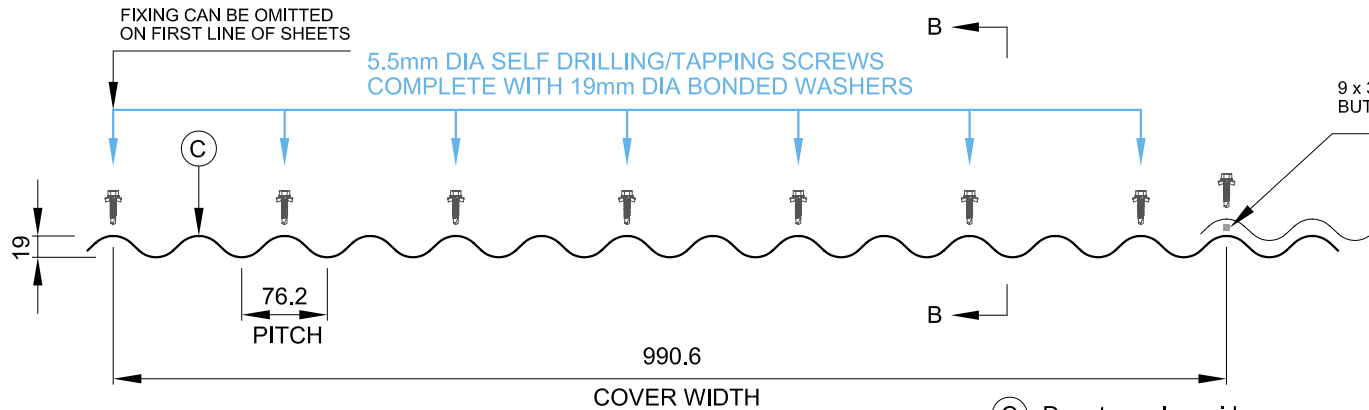
## INTERMEDIATE SUPPORT DETAIL



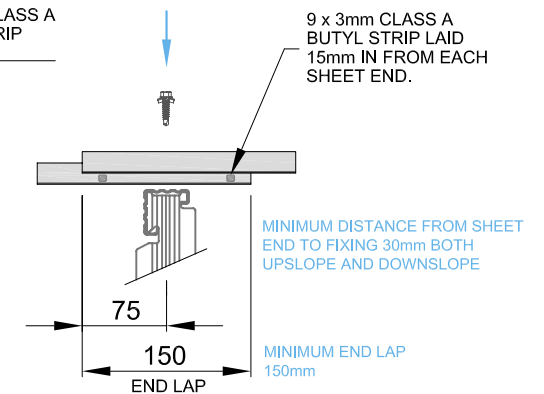
## SECTION A-A



## SHEET END/END LAP DETAIL



## SECTION B-B



NOTE: MINIMUM RECOMMENDED ROOF PITCH = 10 DEGREES

### ISSUE DETAILS

| Rev: | Description: | Drawn: | Date:    |
|------|--------------|--------|----------|
| 0    | First Copy   | TPP    | 24/10/14 |

Title:

TPP 14/3 CORRUGATED ROOF SHEET  
TYPICAL INSTALLATION METHOD

Scale:

NOT TO SCALE

Drawing No:

TP1029

Rev:

0